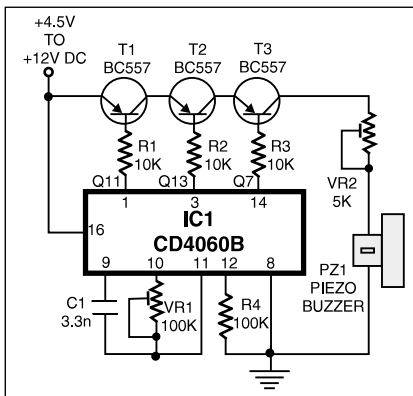


Here is a simple telephone ring tone generator circuit designed using only a few components. It produces simulated telephone ring tone and needs only DC voltage (4.5V DC to 12V DC). One may use this circuit in ordinary intercom or phone-type intercom.



The sound is quite loud when this circuit is operated on +12V DC power supply. However, the volume of ring sound is adjustable.

The commonly available 14-stage binary ripple counter with built-in oscilla-

tor (CMOS IC CD4060B) is used to generate three types of pulses, which are available from pin 1 (O_{11}), pin 3 (O_{13}), and pin 14 (O_7), respectively. Preset VR1 is adjusted to obtain 0.3125Hz pulses (1.6-second 'low' followed by 1.6-second 'high')

